

90° DEG BOX HOUSING
SHOWN 2X

2 1/2" RAIL
TOP VIEW SHOWN 2X

SEE CHART BELOW TO DETERMINE SHUTTER HEIGHT VERSUS BOX SIZE

8" BOX HOUSING

BOX SIZE

ALLOW 2" FOR BASE SLAT EXPOSURE

TOP OF BOX (FM HEIGHT)

RAIL HEIGHT

FRONT VIEW

INSIDE OF RAIL / OPENING

OUTSIDE OF RAIL (FM)

WALL SECTION SHUTTER MOUNTED OVER WINDOW

WALL BRACKET

BASE SLAT

SLAT (OPTIONAL)

ROLLAC ShopGuard RLL59 System Specification

Recommended Opening Width 2' - 10" With Motor 3' - 10"	Recommended Opening Height Manual 2' - 10.5' Motor 2' - 10.5'	Recommended Maximum SQ. FT. Manual 50 Motor 105	Curtain Weight 1.8 LBS / SQ. FT.	Profile Height 2.36" (59mm)	Operator Options														
					Gear	Motor	Motor Override	RTS Override	Optional Motor / Remote Control										
Housing Size (A) vs. FM Shutter Height					2.5	4	4.5	5	5.5	6	6.5	7	7.5	8	8.5	9	9.5	10	10
																		9	



System Specification Sheets
ShopGuard RLL59 59mm Slat Profile

ROLLAC 2017

System Specifications

VERSION 04.06.17

To place an order please call:

(888) 2-ROLLAC (276-5522)

For more information please call:

(281) 485-1911 (local)

To find out more about our company or our products,
please visit our website: www.rollac.com.

email: architects@rollac.com

Copyright 2017, Rollac Shutter of Texas, Inc.

All rights reserved. No part of this catalog may be reproduced in any form or by any electronic or mechanical means, including the use of information storage and retrieval systems, without the express written permission from Rollac Shutter of Texas, Inc.

Certain portions of this catalog have been reprinted with the permission of the copyright owners who reserve all rights.



System Specifications Table of Contents

Slat Specifications

Operator Overview

Drawing 1

System Overview and Technical Specifications

Drawing 2

System Overview and Technical Specification continued

Drawing 3

Shutter Mounting Options Overview

Drawing 4

DETAIL: Shutter Surface Mounting

Drawing 5

DETAIL: Recess / Jamb Mounting

Drawing 6

DETAIL: In Wall Mounting

Drawing 7

DETAIL: Above Ceiling / Soffit Mount

Drawing 8

Recommended Fastener Schedule

Drawing 9

Motorized Operation Rolling Shutter Manual Override Options – Exploded Diagram

Drawing 10

Gear Operation Rolling Shutter Options – Exploded Diagram

Drawing 11

ShopGuard System Spec Sheet

Drawing 12

Mounting Options for Rails

Drawing 13

Exposed Base Slat Detail and Wall Mounting Bottom Stop Detail

Drawing 14

Wall Mounting Side Rail Connections to wood and concrete walls

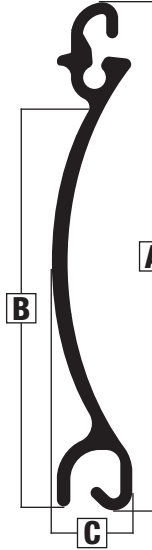
Drawing 15

Common Terms used for Rolling Shutters and Shutter System Frames



ShopGuard RLL59 Single Wall Extruded Slat - Solid

Commercial Security Solution



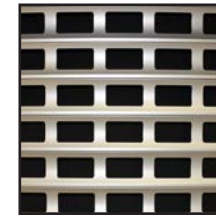
Slat Details						
Total Height (A)	2.63"		68 mm			
Total Height (B)	2.39"		59 mm			
Profile Width (C)	0.38"		9.8 mm			
Wall Gauge	0.078"		2.0 mm			
Maximum Area	120 sqft		11 sqm			
Weight	Solid (no punch)		Grid Punch		Rectangle Punch	
	1.61 lbs/sft	7.9 kg/sqm	1.4 lbs/sft	6.85 kg/sqm	1.31 lbs/sft	6.36 kg/sqm



Solid



Grid



Rectangle

	Color Availability	
	Curtain Colors	Frame Colors
White	•	•
Cream	•	•
Beige	•	•
Bronze	•	•
Brown		•
Grey		•
Arcona Beige		•
Anodized Silver	•	
Metallic		•

Slat Details
<ul style="list-style-type: none"> Single-walled extruded aluminum Gauge 2.0 mm / 0.078" Type 6005-T5, class1 anodized or powder coated finish.

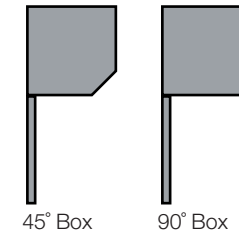
Aluminum Base Slat for Maxi Slats
Cream, White, Grey, Light Beige, Bronze, Dark Brown, Arcona Beige

Slat Deduction for Shutter Manufacturing		
Slat	Small Leg 45° & 90° 4"-10"	Large Leg 45° 10", 12"
RLL59	7.3 cm / 2 ⁷ / ₁₆ "	8.7 cm / 3 ⁷ / ₁₆ "

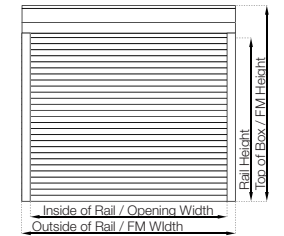
Standard Side Rail - Maxi
64 mm x 22 mm (2.50" x 0.86")
Anodized Silver, Cream, White, Grey, Light Beige, Bronze, Dark Brown, Arcona Beige

Optional Side Rail - Maxi
53 mm x 22 mm (2.09" x 0.86")
Anodized Silver, Cream, White, Grey, Light Beige, Bronze, Dark Brown, Arcona Beige

Box Housing Shape



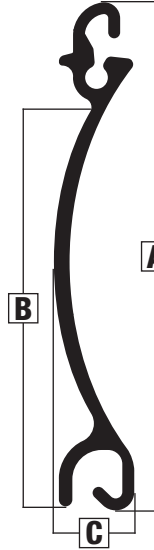
Shutter Dimension Diagram



Rail Height By Housing Size						
Box Size	6" (150 mm)	6.5" (165 mm)	7" (180 mm)	8" (205 mm)	9" (230 mm)	
Axle	70 mm	70 mm	70 mm	70 mm	70 mm	
RLL59	N/A	N/A	48"	76"	113"	
Box Size	9" (230 mm)	10" (250 mm)	10" (250 mm)	12" (300 mm)	12" (300 mm)	
Axle	70 mm + Ring	70 mm	70 mm + Ring	70 mm	70 mm + Ring	
RLL59	102"	160"	129"	216"	189"	

ShopGuard RLL59 Single Wall Extruded Slat - Rectangle Punch

Commercial Security Solution



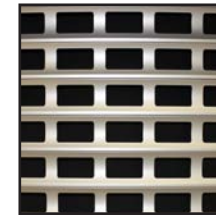
Slat Details						
Total Height (A)	2.63"		68 mm			
Total Height (B)	2.39"		59 mm			
Profile Width (C)	0.38"		9.8 mm			
Wall Gauge	0.078"		2.0 mm			
Maximum Area	120 sqft		11 sqm			
Weight	Solid (no punch)		Grid Punch		Rectangle Punch	
	1.61 lbs/sft	7.9 kg/sqm	1.4 lbs/sft	6.85 kg/sqm	1.31 lbs/sft	6.36 kg/sqm



Solid



Grid



Rectangle

	Color Availability	
	Curtain Colors	Frame Colors
White	•	•
Cream	•	•
Beige	•	•
Bronze	•	•
Brown		•
Grey		•
Arcona Beige		•
Anodized Silver	•	
Metallic		•

Slat Details
<ul style="list-style-type: none"> Single-walled extruded aluminum Gauge 2.0 mm / 0.078" Type 6005-T5, class1 anodized or powder coated finish.

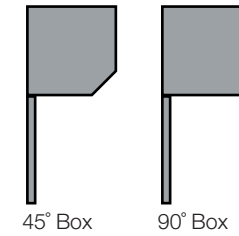
Aluminum Base Slat for Maxi Slats
Cream, White, Grey, Light Beige, Bronze, Dark Brown, Arcona Beige

Slat Deduction for Shutter Manufacturing		
Slat	Small Leg 45° & 90° 4"-10"	Large Leg 45° 10", 12"
RLL59	7.3 cm / 2 ⁷ / ₁₆ "	8.7 cm / 3 ⁷ / ₁₆ "

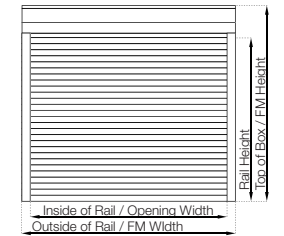
Standard Side Rail - Maxi
64 mm x 22 mm (2.50" x 0.86")
Anodized Silver, Cream, White, Grey, Light Beige, Bronze, Dark Brown, Arcona Beige

Optional Side Rail - Maxi
53 mm x 22 mm (2.09" x 0.86")
Anodized Silver, Cream, White, Grey, Light Beige, Bronze, Dark Brown, Arcona Beige

Box Housing Shape



Shutter Dimension Diagram



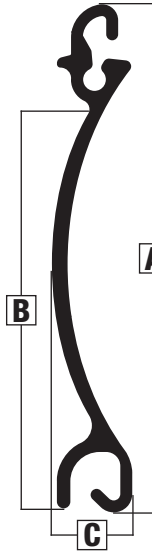
Rail Height By Housing Size						
Box Size	6" (150 mm)	6.5" (165 mm)	7" (180 mm)	8" (205 mm)	9" (230 mm)	
Axle	70 mm	70 mm	70 mm	70 mm	70 mm	
RLL59	N/A	N/A	48"	76"	113"	
Box Size	9" (230 mm)	10" (250 mm)	10" (250 mm)	12" (300 mm)	12" (300 mm)	
Axle	70 mm + Ring	70 mm	70 mm + Ring	70 mm	70 mm + Ring	
RLL59	102"	160"	129"	216"	189"	

ShopGuard RLL59 Single Wall Extruded Slat - Grid Punch

Commercial Security Solution



RLL59



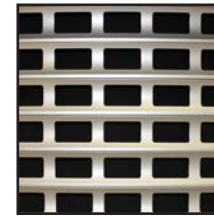
Slat Details						
Total Height (A)	2.63"		68 mm			
Total Height (B)	2.39"		59 mm			
Profile Width (C)	0.38"		9.8 mm			
Wall Gauge	0.078"		2.0 mm			
Maximum Area	120 sqft		11 sqm			
Weight	Solid (no punch)		Grid Punch		Rectangle Punch	
	1.61 lbs/sft	7.9 kg/sqm	1.4 lbs/sft	6.85 kg/sqm	1.31 lbs/sft	6.36 kg/sqm



Solid



Grid



Rectangle

	Color Availability	
	Curtain Colors	Frame Colors
White	•	•
Cream	•	•
Beige	•	•
Bronze	•	•
Brown		•
Grey		•
Arcona Beige		•
Anodized Silver	•	
Metallic		•

Slat Details
<ul style="list-style-type: none"> • Single-walled extruded aluminum • Gauge 2.0 mm / 0.078" • Type 6005-T5, class1 anodized or powder coated finish.

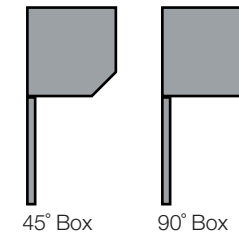
Aluminum Base Slat for Maxi Slats
Cream, White, Grey, Light Beige, Bronze, Dark Brown, Arcona Beige

Slat Deduction for Shutter Manufacturing		
Slat	Small Leg 45° & 90° 4"-10"	Large Leg 45° 10", 12"
RLL59	7.3 cm / 2 ⁷ / ₁₆ "	8.7 cm / 3 ⁷ / ₁₆ "

Standard Side Rail - Maxi
64 mm x 22 mm (2.50" x 0.86")
Anodized Silver, Cream, White, Grey, Light Beige, Bronze, Dark Brown, Arcona Beige

Optional Side Rail - Maxi
53 mm x 22 mm (2.09" x 0.86")
Anodized Silver, Cream, White, Grey, Light Beige, Bronze, Dark Brown, Arcona Beige

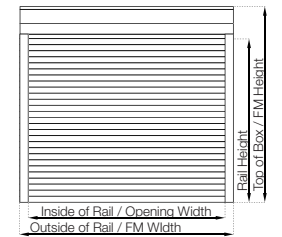
Box Housing Shape



45° Box

90° Box

Shutter Dimension Diagram

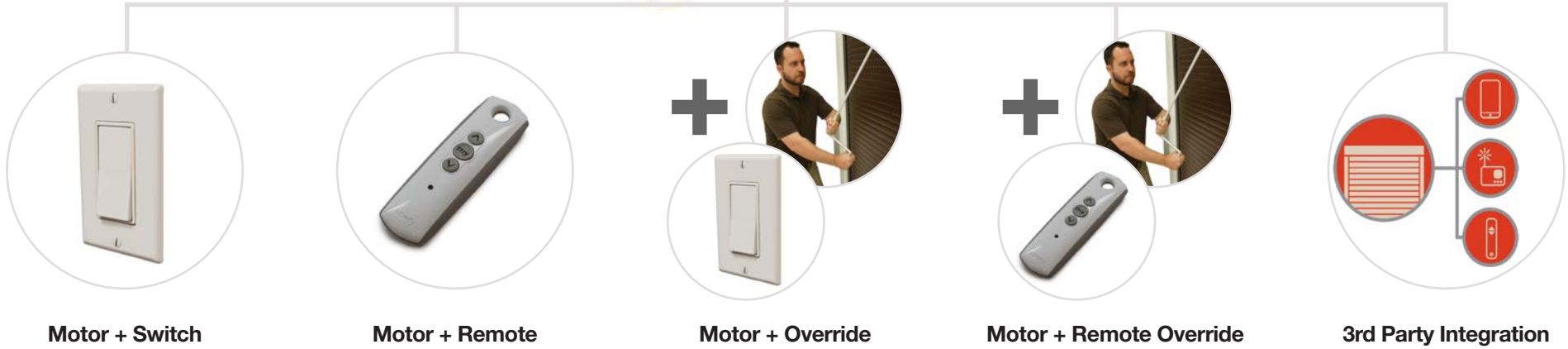


Rail Height By Housing Size						
Box Size	6" (150 mm)	6.5" (165 mm)	7" (180 mm)	8" (205 mm)	9" (230 mm)	
Axle	70 mm	70 mm	70 mm	70 mm	70 mm	
RLL59	N/A	N/A	48"	76"	113"	
Box Size	9" (230 mm)	10" (250 mm)	10" (250 mm)	12" (300 mm)	12" (300 mm)	
Axle	70 mm + Ring	70 mm	70 mm + Ring	70 mm	70 mm + Ring	
RLL59	102"	160"	129"	216"	189"	



Operator Overview

Motorized Options



Each Option Includes Motorized Operation





Operator Overview

Manual Options



Recoil Box



Crank Box



Push / Pull System



Gear Drive / Crank Handle



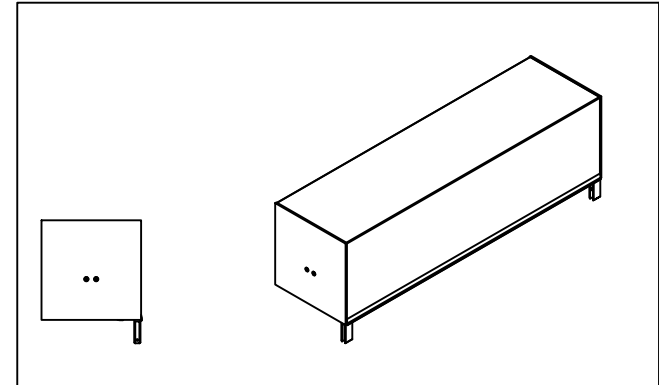
The ShopGuard RLL59 - Shutter System

System Overview and Technical Specifications

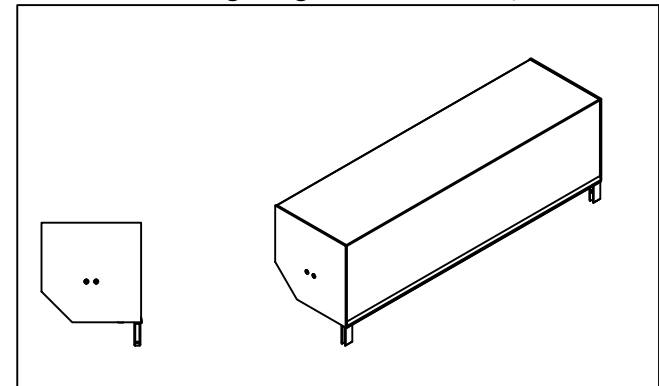
• Available Colors:

Curtain	Frame
White	White
Beige (Light Beige)	Beige (Light Beige)
Cream	Cream
Anodized	Metallic
Bronze	Bronze
	Arcona Beige (Dark Beige)
	Dark Brown
	Grey

• Available Housing Design Choices - Side Cap 90°

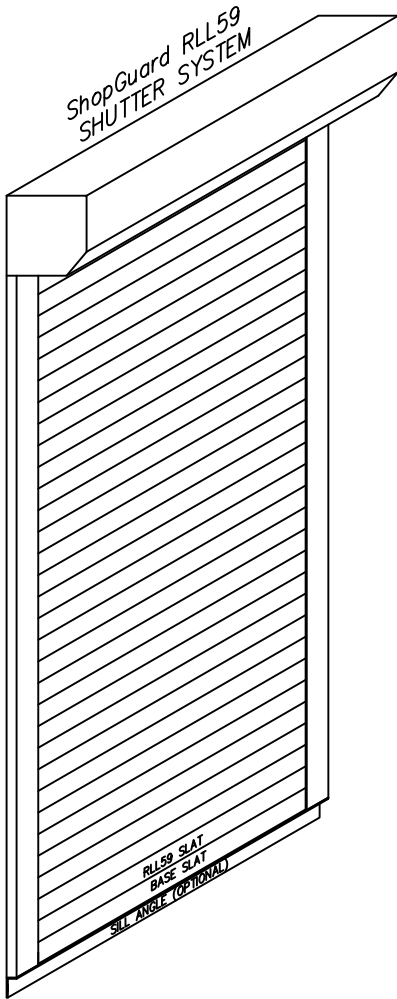
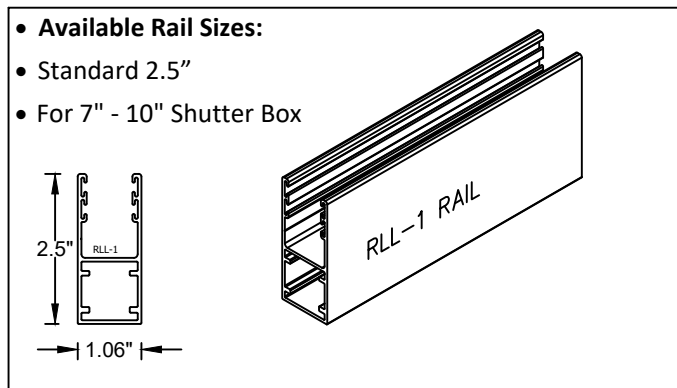


• Available Housing Design Choices - Side Cap 45°



• Available Rail Sizes:

- Standard 2.5"
- For 7" - 10" Shutter Box



<p>Copyright © 2017 Rollac V 2.28.2017</p> <p>ROLLAC ROLLING SHUTTERS 5331 W. ORANGE ST. PEARLAND, TX 77581 TEL: 281-485-1911 WWW.ROLLAC.COM</p>	NAME	DATE	PROJECT:	
	DRAWN	TRAVIS E.	2017/03/06	DESCRIPTION: SYSTEM SPECIFICATION SHEETS FOR RLL59 SHUTTER SYSTEM.
	CHECKED	STEFAN P.	2017/03/06	
	APPR.	UNLESS OTHERWISE SPECIFIED DIMENSIONS ARE IN INCHES		YYYY/MM/DD
ANGLES	.X ± .5	.XX ± .1	.XXX ± .03	SCALE: NONE WEIGHT: XX.XLBS 1 OF 15
<p>THIRD ANGLE PROJECTION</p>			SIZE DWG. NO. RLL59 REV A	

• **Required Minimum and Maximum Dimensions for Operators**

Manual System Min and Max Dimensions	
System Width	2' - 10'-6"
System Height	2' - 10'
Maximum System SQFT	105 sqft

Motorized Systems Min and Max Dimensions	
System Width	3' - 16'
System Height	3' - 10'-6"
Maximum System SQFT	105 sqft

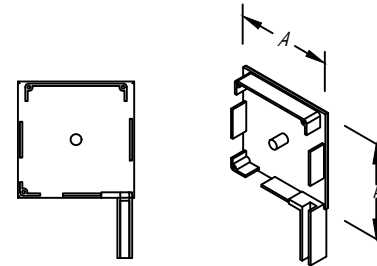
*The system specifications and information herein are based on the dimensional recommendations. If a system requires dimensions outside the scope of these technical recommendations, special engineering and installations may be required. Always consult with Rollac first.

System Weight	
Approximate Systems Weight	3.2 lbs / sqft
Curtain Weight	1.6 lbs / sqft
Profile Height	2.36"

• **Available Operators and SQFT Limitations**

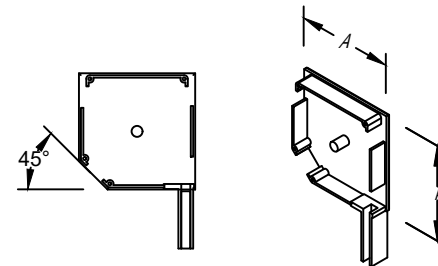
Operator System Dimensions	Max SQFT
Gear	43 sqft
Gear + Assist Spring	70 sqft
Push and Pull	105 sqft
Motor Regular Switch	105 sqft
Motor with Over Ride	105 sqft
Motor with Remote Control	105 sqft
Motor with Remote Control and Over Ride	105 sqft

Dimensions of Side Cap 90°



Dimensions of Side Caps - 90°	
Box	A
5.0" (125mm)	4.72" (120mm)
5.5" (137mm)	5.20" (132mm)
6.0" (150mm)	5.71" (145mm)
6.5" (165mm)	6.30" (160mm)
7.0" (180mm)	6.89" (175mm)
8.0" (205mm)	7.87" (200mm)
9.0" (230mm)	8.86" (225mm)
10.0" (250mm)	9.65" (245mm)

Dimensions of Side Cap 45°



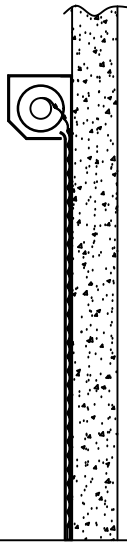
Dimensions of Side Caps - 45°	
Box	A
5.0" (125mm)	4.72" (120mm)
5.5" (137mm)	5.20" (132mm)
6.0" (150mm)	5.71" (145mm)
6.5" (165mm)	6.30" (160mm)
7.0" (180mm)	6.89" (175mm)
8.0" (205mm)	7.87" (200mm)
9.0" (230mm)	8.86" (225mm)
10.0" (250mm)	9.65" (245mm)

The ShopGuard RLL59 - Shutter System

System Overview and Technical Specifications

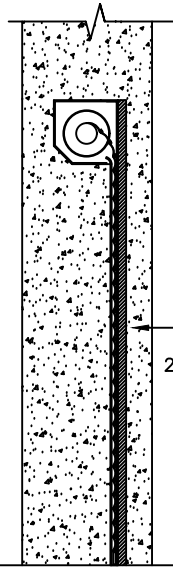
<p>Copyright © 2017 Rollac V 2.28.2017</p> <p>ROLLAC ROLLING SHUTTERS 5331 W. ORANGE ST. PEARLAND, TX 77581 TEL: 281-485-1911 WWW.ROLLAC.COM</p>	NAME	DATE	PROJECT:
	DRAWN TRAVIS E.	2017/03/06	DESCRIPTION: SYSTEM SPECIFICATION SHEETS FOR RLL59 SHUTTER SYSTEM.
	CHECKED STEFAN P.	2017/03/06	
	APPR.	YYYY/MM/DD	
UNLESS OTHERWISE SPECIFIED DIMENSIONS ARE IN INCHES			
ANGLES ± .5	.X ± .1	.XX ± .03	.XXX ± .005
<p>THIRD ANGLE PROJECTION</p>			SIZE DWG. NO. A RLL59 A
SCALE: NONE			WEIGHT: XX.XLBS 2 OF 15

SHUTTER MOUNTING OPTIONS



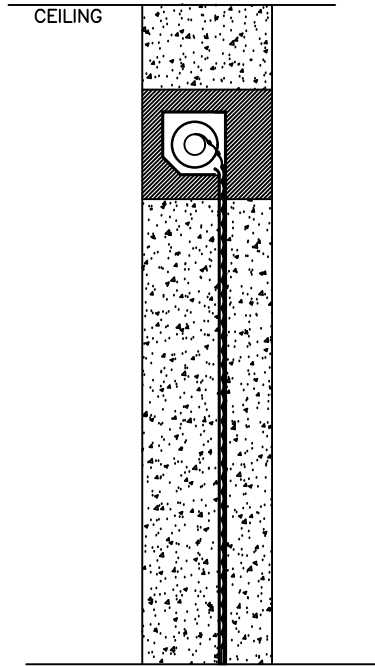
SURFACE MOUNT

SEE PAGE # 4
FOR DETAILS



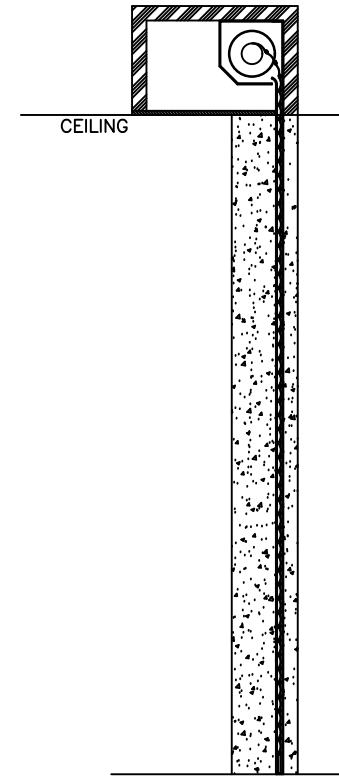
RECESS/JAMB MOUNT

SEE PAGE # 5
FOR DETAILS



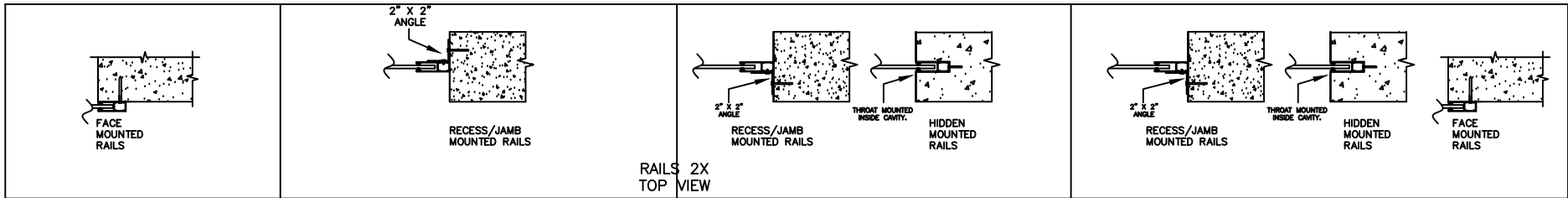
INWALL MOUNT

SEE PAGE # 6
FOR DETAILS



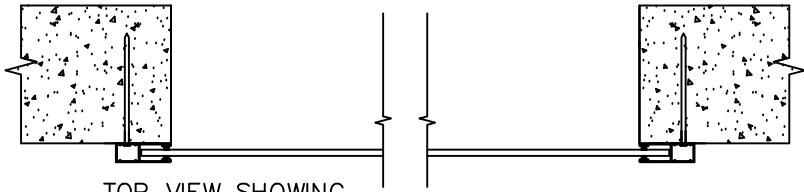
ABOVE CEILING/SOFFT MOUNT

SEE PAGE # 7
FOR DETAILS

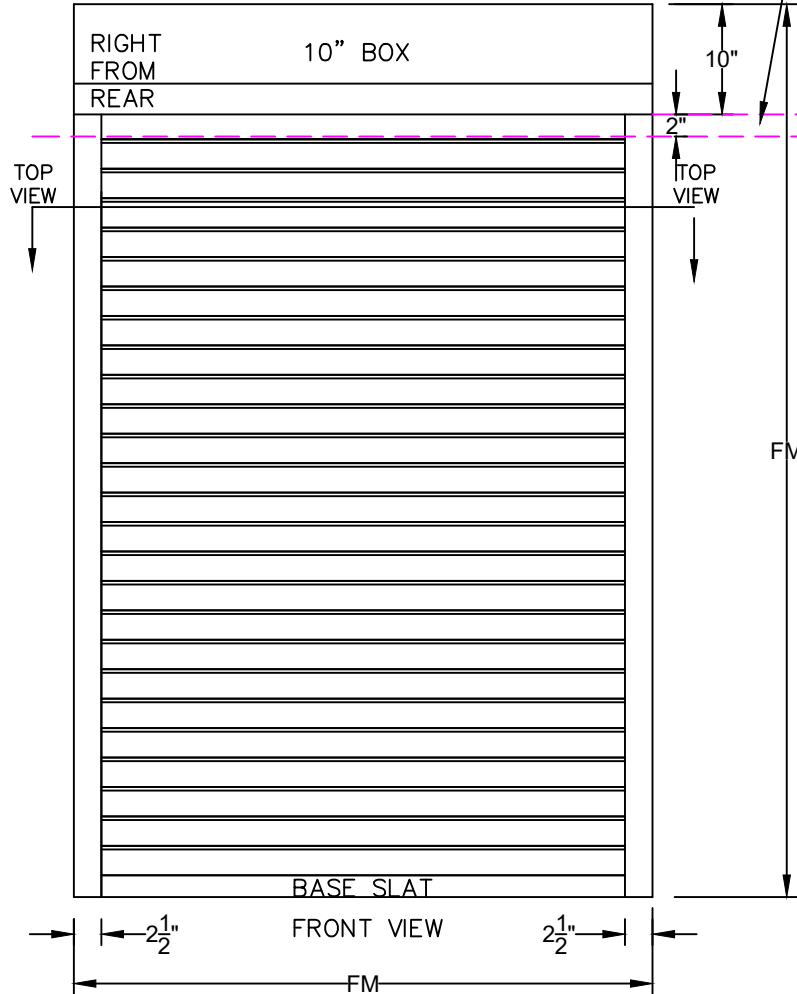


RAIL MOUNTING OPTIONS BY SHUTTER MOUNT METHODS

<p>Copyright © 2017 Rollac V 2.28.2017</p> <p>ROLLAC ROLLING SHUTTERS 5331 W. ORANGE ST. PEARLAND, TX 77581 TEL: 281-485-1911 WWW.ROLLAC.COM</p>	NAME	DATE	PROJECT:	
	DRAWN	TRAVIS E.	2017/03/06	DESCRIPTION: SYSTEM SPECIFICATION SHEETS FOR RLL59 SHUTTER SYSTEM.
	CHECKED	STEFAN P.	2017/03/06	
	APPR.		YYYY/MM/DD	
UNLESS OTHERWISE SPECIFIED DIMENSIONS ARE IN INCHES			SIZE DWG. NO.	
ANGLES	.X	.XX	.XXX	REV
± .5	± .1	± .03	± .005	A
THIRD ANGLE PROJECTION			SCALE: NONE WEIGHT: XX.XLBS 3 OF 15	



TOP VIEW SHOWING CURTAIN AND RAILS. SCALE = 2X



SHUTTER SURFACE MOUNT

ALLOW 2" FOR BASE SLAT HANG

2X BOX SIZE

**OPERATOR DETAILS

J-BOX FOR ELECTRICAL CONNECTION (MOTOR)

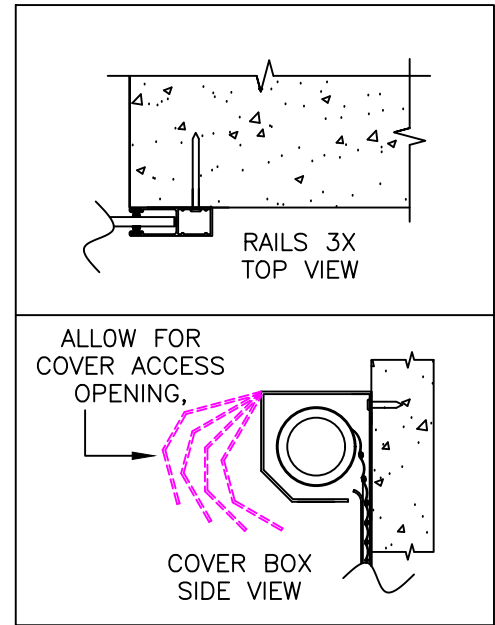
**OPERATOR DETAILS TO BE SPECIFIED DURING DETAILED PLANNING.

ALLOW FOR COVER SWING.

*SEE SURFACE MOUNT DETAIL

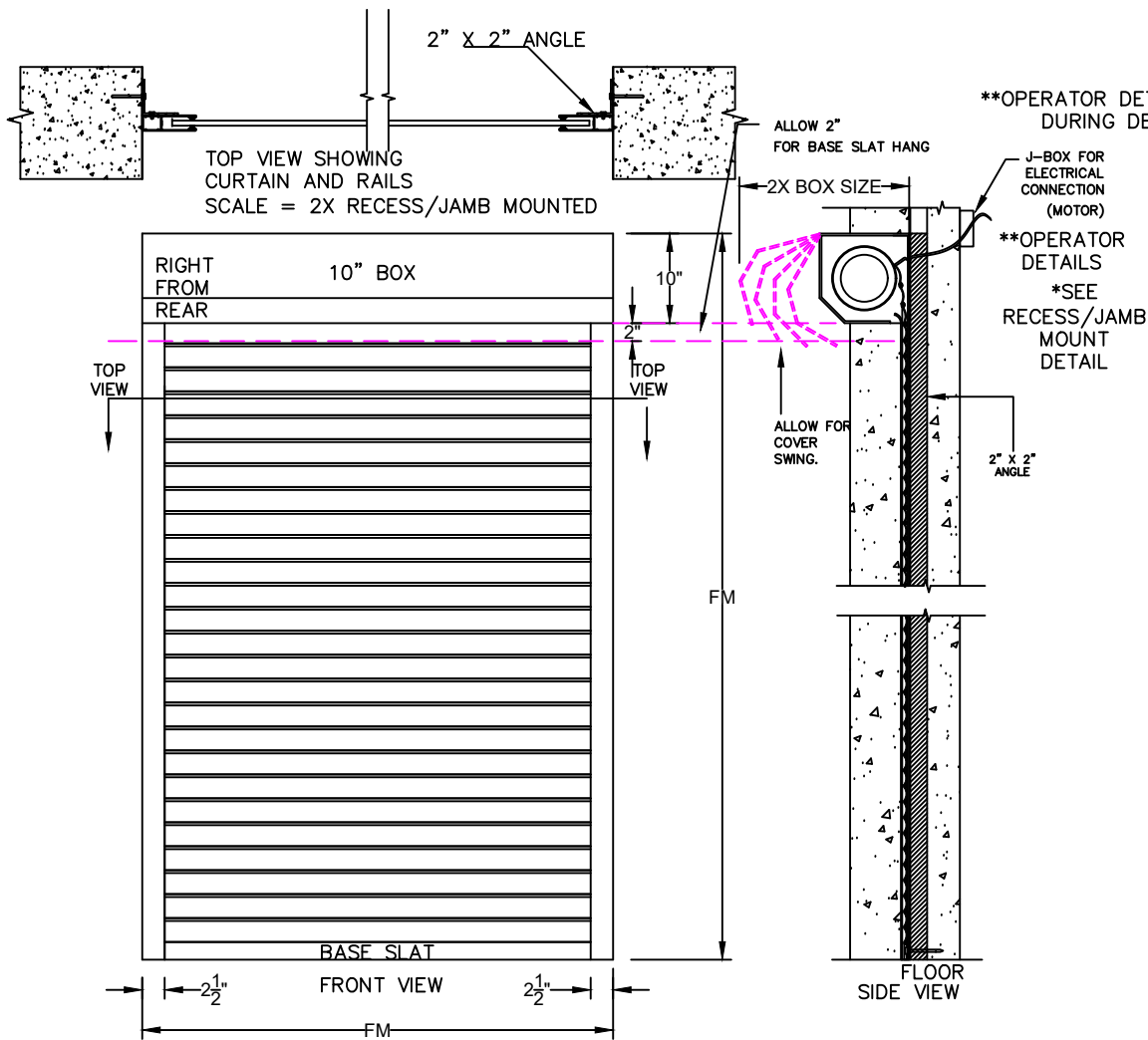
FM

FLOOR SIDE VIEW



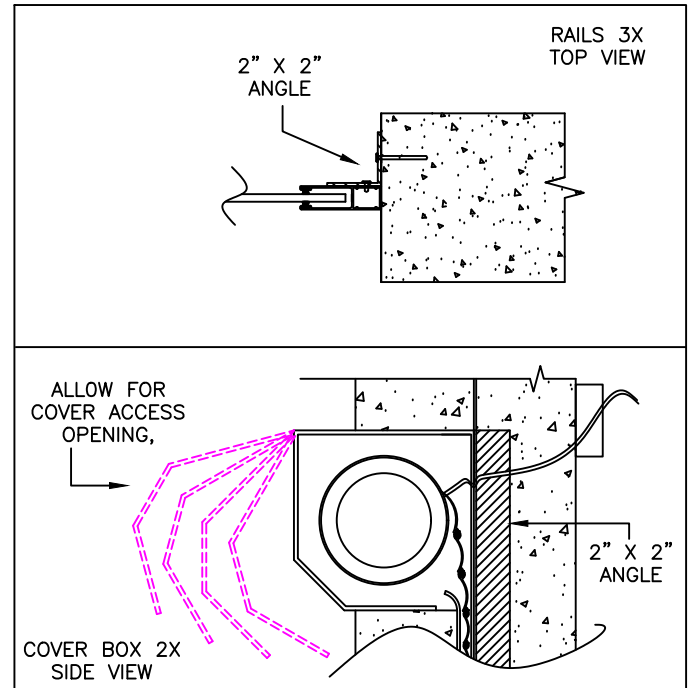
*SURFACE MOUNT DETAIL RAILS AND COVER BOX

ROLLAC		NAME	DATE	PROJECT:
DRAWN	TRAVIS E.	2017/03/06		
CHECKED	STEFAN P.	2017/03/06		DESCRIPTION:
APPR.		YYYY/MM/DD		SYSTEM SPECIFICATION SHEETS FOR RLL59 SHUTTER SYSTEM.
UNLESS OTHERWISE SPECIFIED DIMENSIONS ARE IN INCHES				
ANGLES	.X	.XX	.XXX	
	± .5	± .1	± .03	± .005
Copyright © 2017 Rollac V 2.28.2017		THIRD ANGLE PROJECTION		
ROLLAC ROLLING SHUTTERS 5331 W. ORANGE ST. PEARLAND, TX 77581 TEL: 281-485-1911 WWW.ROLLAC.COM		SIZE DWG. NO.	REV	
		A	RLL59	A
		SCALE: NONE	WEIGHT: XX.XLBS	4 OF 15



**OPERATOR DETAILS TO BE SPECIFIED DURING DETAILED PLANNING.

J-BOX FOR ELECTRICAL CONNECTION (MOTOR)
 **OPERATOR DETAILS
 *SEE RECESS/JAMB MOUNT DETAIL

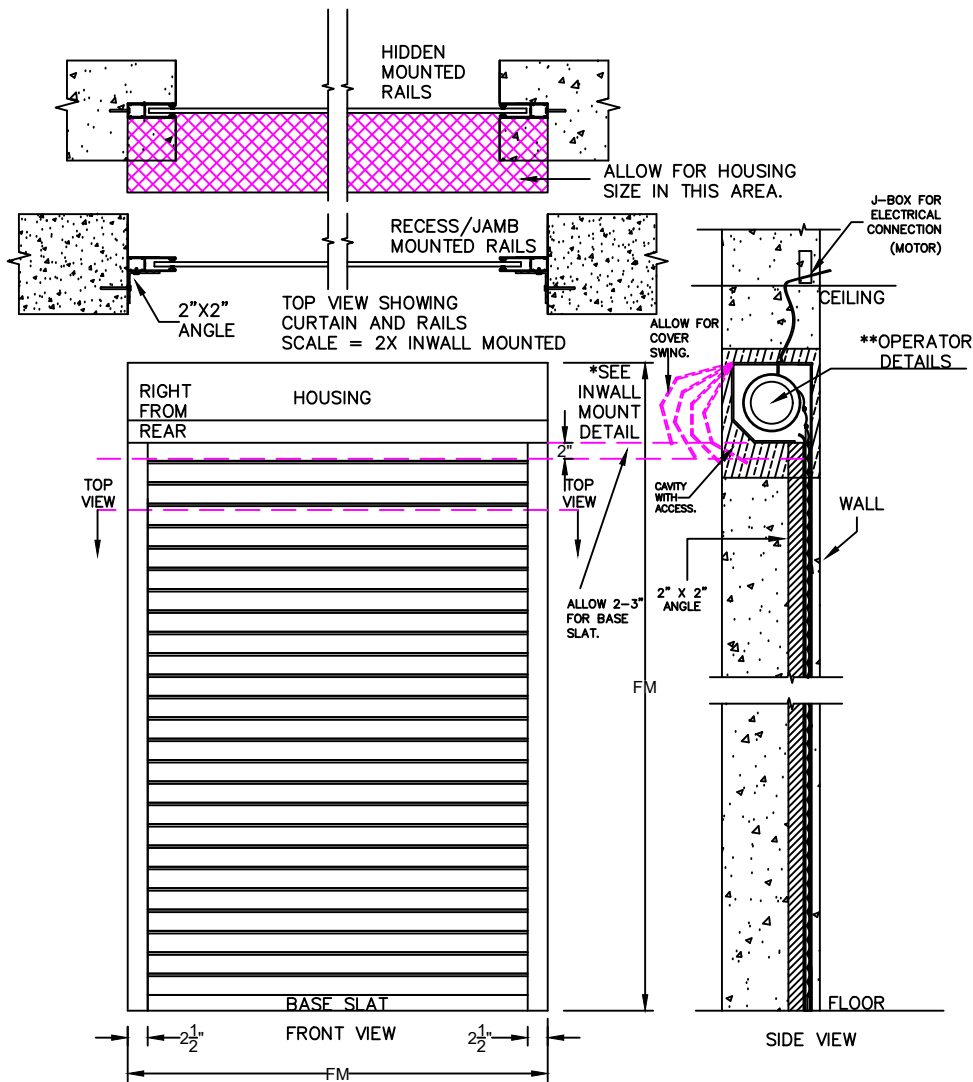


*RECESS/JAMB MOUNT DETAIL
 RAILS AND COVER BOX

RECESS/JAMB MOUNT

<p>Copyright © 2017 Rollac V 2.28.2017 ROLLAC ROLLING SHUTTERS 5331 W. ORANGE ST. PEARLAND, TX 77581 TEL: 281-485-1911 WWW.ROLLAC.COM</p>	DRAWN TRAVIS E. 2017/03/06 CHECKED STEFAN P. 2017/03/06 APPR. YYYYY/MM/DD UNLESS OTHERWISE SPECIFIED DIMENSIONS ARE IN INCHES	NAME DATE PROJECT:	
	ANGLES ± .5 .X .XX .XXX ± .1 ± .03 ± .005	DESCRIPTION: SYSTEM SPECIFICATION SHEETS FOR RLL59 SHUTTER SYSTEM.	SIZE DWG. NO. A RLL59 A
	THIRD ANGLE PROJECTION	SCALE: NONE WEIGHT: XX.XLBS 5 OF 15	REV

INWALL MOUNT SHUTTER RAILS CAN BE MOUNTED HIDDEN OR RECESS/JAMB MOUNTED

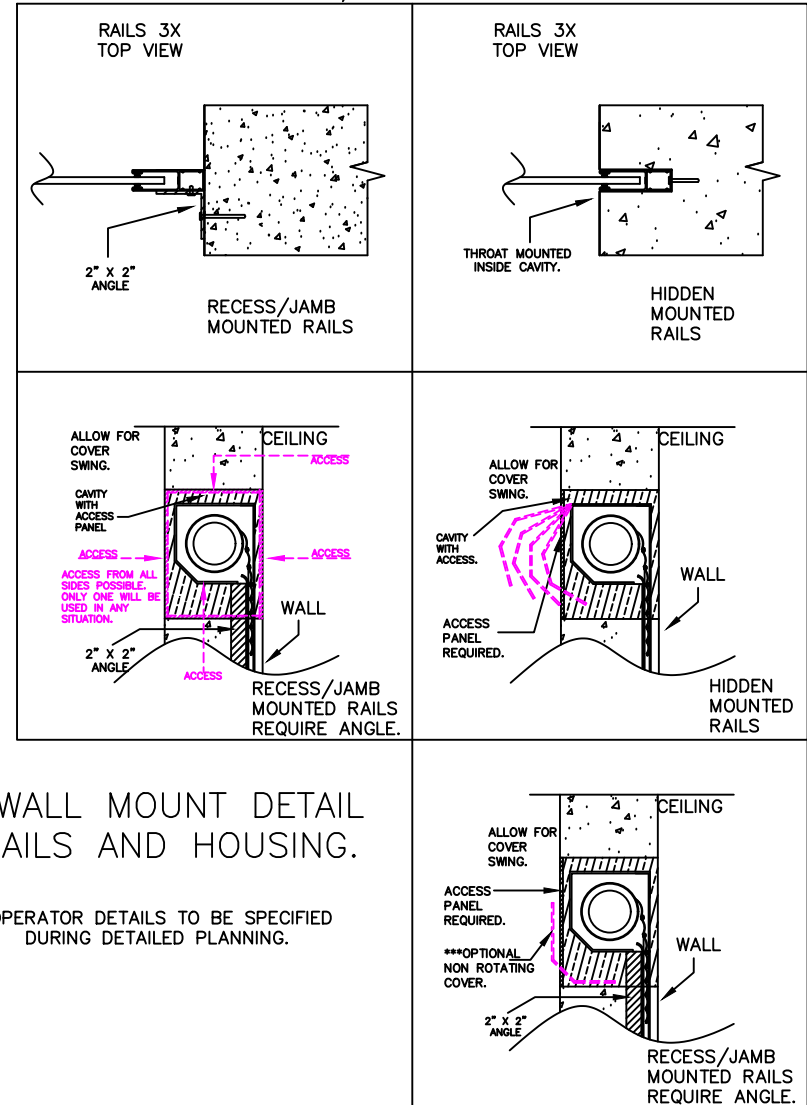


INWALL MOUNT

INWALL MOUNTED SHUTTERS ARE USUALLY MOUNTED INSIDE A CAVITY WITHIN THE HEADER ABOVE THE OPENING.

AN ACCESS PANEL WILL HAVE TO BE PROVIDED TO ENABLE INSTALLATION AND SERVICE. ACCESS CAN BE FROM EITHER SIDE, TOP OR BOTTOM. ACCESS TO BE DETERMINED DURING DETAIL SPECIFICATION.

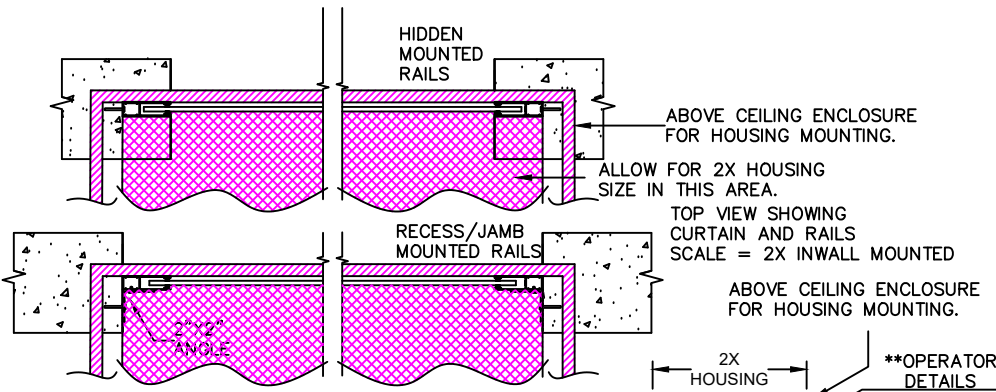
THE OPTIONAL NON ROTATING COVER ALLOWS EASIER ACCESS INSIDE THE ACCESS PANEL IN SOME INSTALLATIONS. CONTACT ROLLAC FOR MORE DETAILS.



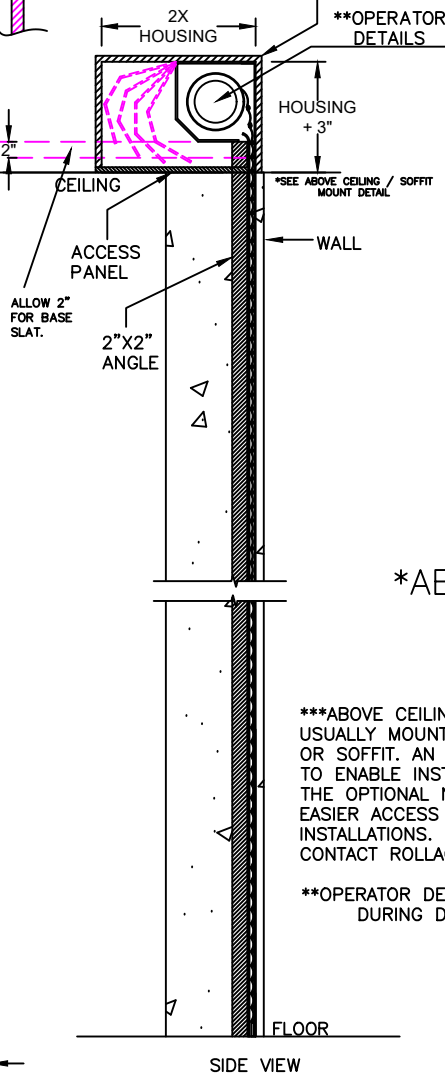
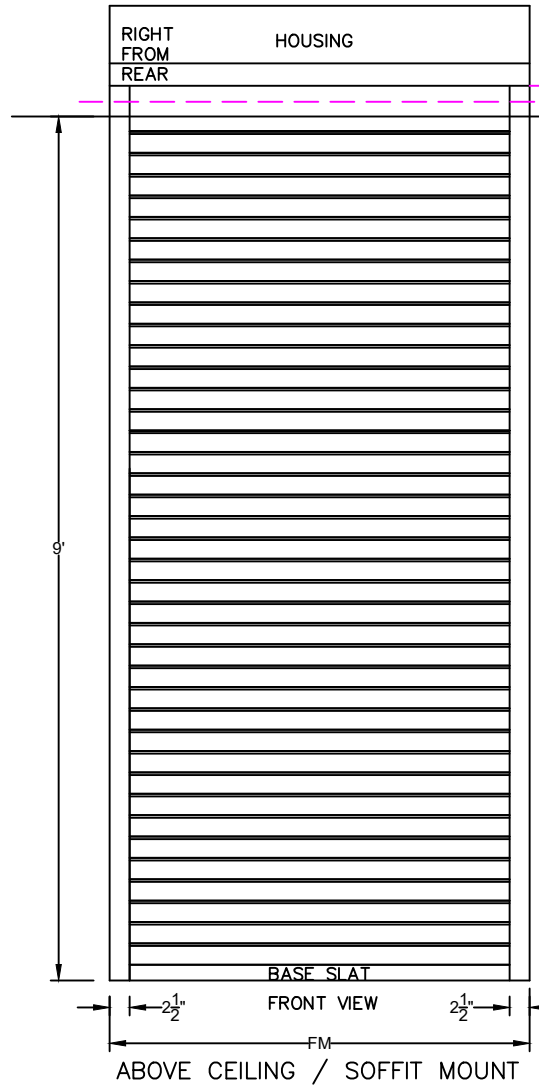
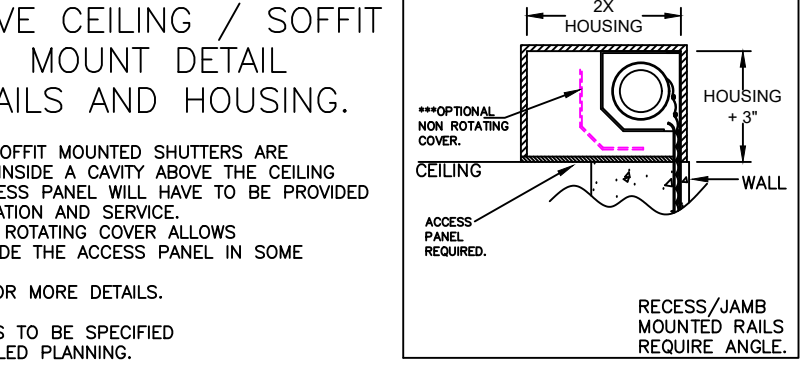
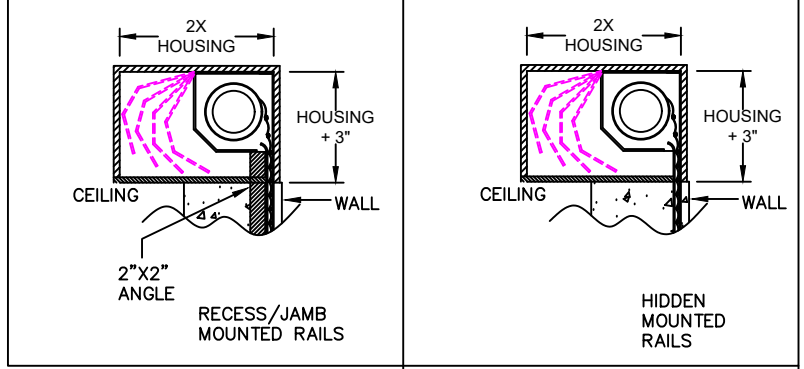
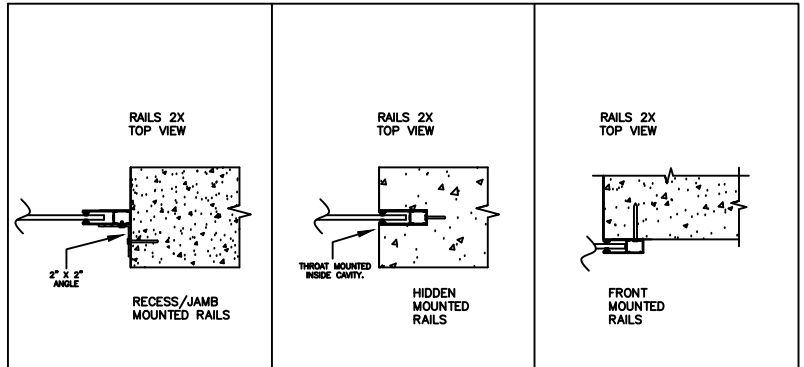
*INWALL MOUNT DETAIL RAILS AND HOUSING.

**OPERATOR DETAILS TO BE SPECIFIED
DURING DETAILED PLANNING.

<p>Copyright © 2017 Rollac V 2.28.2017</p> <p>ROLLAC ROLLING SHUTTERS 5331 W. ORANGE ST. PEARLAND, TX 77581 TEL. 281-485-1911 WWW.ROLLAC.COM</p>	NAME	DATE	PROJECT:		
	DRAWN	TRAVIS E.	2017/03/06	DESCRIPTION: SYSTEM SPECIFICATION SHEETS FOR RLL59 SHUTTER SYSTEM.	
	CHECKED	STEFAN P.	2017/03/06		
	APPR.		YYYY/MM/DD		
UNLESS OTHERWISE SPECIFIED DIMENSIONS ARE IN INCHES			SIZE DWG. NO.		
ANGLES	X ± .005	X ± .005	X ± .005	A	
THIRD ANGLE PROJECTION			SCALE: NONE	WEIGHT: XX.XLBS	6 OF 15
			REV	A	



ABOVE CEILING / SOFFIT MOUNT SHUTTER RAILS CAN BE FRONT MOUNTED, HIDDEN OR RECESS/JAMB MOUNTED.



*ABOVE CEILING / SOFFIT MOUNT DETAIL RAILS AND HOUSING.

***ABOVE CEILING/SOFFIT MOUNTED SHUTTERS ARE USUALLY MOUNTED INSIDE A CAVITY ABOVE THE CEILING OR SOFFIT. AN ACCESS PANEL WILL HAVE TO BE PROVIDED TO ENABLE INSTALLATION AND SERVICE. THE OPTIONAL NON ROTATING COVER ALLOWS EASIER ACCESS INSIDE THE ACCESS PANEL IN SOME INSTALLATIONS. CONTACT ROLLAC FOR MORE DETAILS.

**OPERATOR DETAILS TO BE SPECIFIED DURING DETAILED PLANNING.

ROLLAC		NAME	DATE	PROJECT:
Copyright © 2017 Rollac V 2.28.2017		DRAWN	TRAVIS E.	2017/03/06
ROLLAC ROLLING SHUTTERS 5331 W. ORANGE ST. PEARLAND, TX 77581 TEL: 281-485-1911 WWW.ROLLAC.COM		CHECKED	STEFAN P.	2017/03/06
		APPR.		YYYY/MM/DD
		UNLESS OTHERWISE SPECIFIED DIMENSIONS ARE IN INCHES		
		ANGLES	.X ± .5	.XX ± .1
			.XXX ± .03	.XXX ± .005
		THIRD ANGLE PROJECTION		
		SIZE DWG. NO.	REV	
		A	RLL59 A	
		SCALE: NONE	WEIGHT: XX.XLBS	7 OF 15

Recommended Fastener - Schedule RLL59

Substrate	Type of Screw	Commonly Used	Minimum Embedment (E.D.)	Minimum Edge Distance	Screw Hole Spacing
Wood Framing	#14 Wood or Lag Screw Pan Head, Phillips	Wood Screw #14 Stainless Steel, Pan Head, Phillips STUCCO: #14 x 3*, FIBER CEMENT BOARD: #14 x 3 BRICK-VENEER: #14 x 4 (Screw length depends on brick size and distance to wood framing)	1.5" Threaded Penetration to Existing Wood Stud	2" Edge Distance	<p><u>Drill hole Spacing:</u> 12" Approximately every 12" or less starting 4" from the bottom up to 4" from the top.</p> <p><u>Drill hole Size:</u></p> <p>The Standard Recommended Drill hole is $\frac{1}{2}$". Rollac will do a step drill with $\frac{1}{2}$" entry and $\frac{1}{4}$" exit hole. This type of drill will fit all #14 screws.</p> <p>Please advise if other screws, such as Tapcon Anchors, are used as it will change the drill size..</p>
Concrete	#14 Screw Pan Head, Phillips with S7 Fisher Anchor or Plug	#14 X 2" screw with Fisher S7 Anchor or Plug Please.	Follow the installation instructions on the Fisher Plug but we recommend the embedment to be around 1.75" Minimum.	3" Edge Distance	
Aluminum / Build Out / Angles	#14 TEK Screw Pan Head, Phillips	#14 X 1 Self Drilling PP SS TEK (TEK = Self Drilling)	n.a.	n.a.	
Red Iron	TEKS 5 Screws #12 ** Hexagon Head, Phillips	#12	n.a.	n.a.	
Commercial Aluminum Studs	TEKS 5 Screws #12 ** Hexagon Head, Phillips	#12	n.a.	n.a.	

* No embedment into stucco shall be considered as part of the required embedment


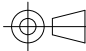
** Screw shall not be made out of stainless steel as material is too soft to drill into a steel structure. Use other corrosion resistant material

*** Fastener Schedule applies to face mount only. For other installation techniques, see engineering.

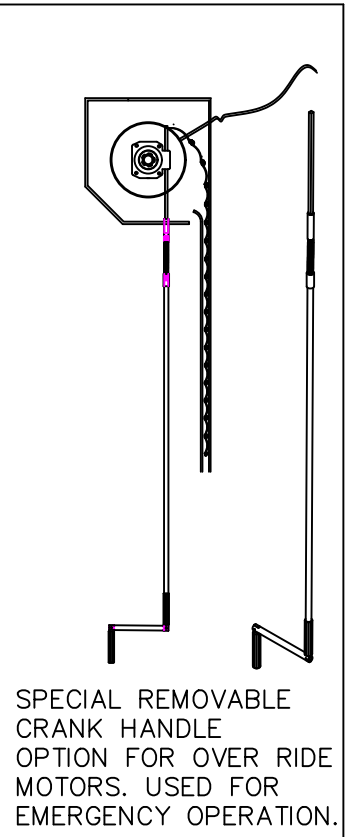
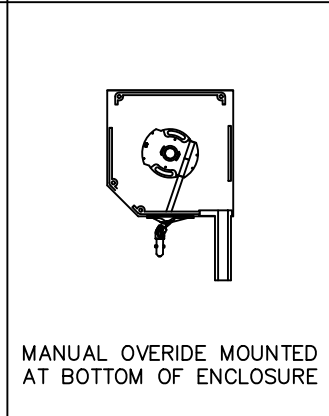
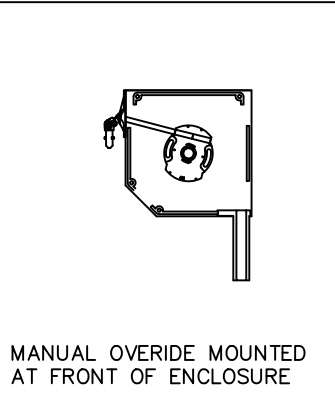
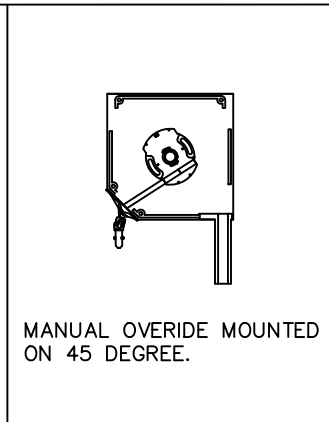
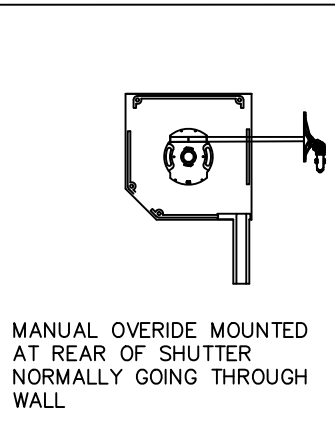
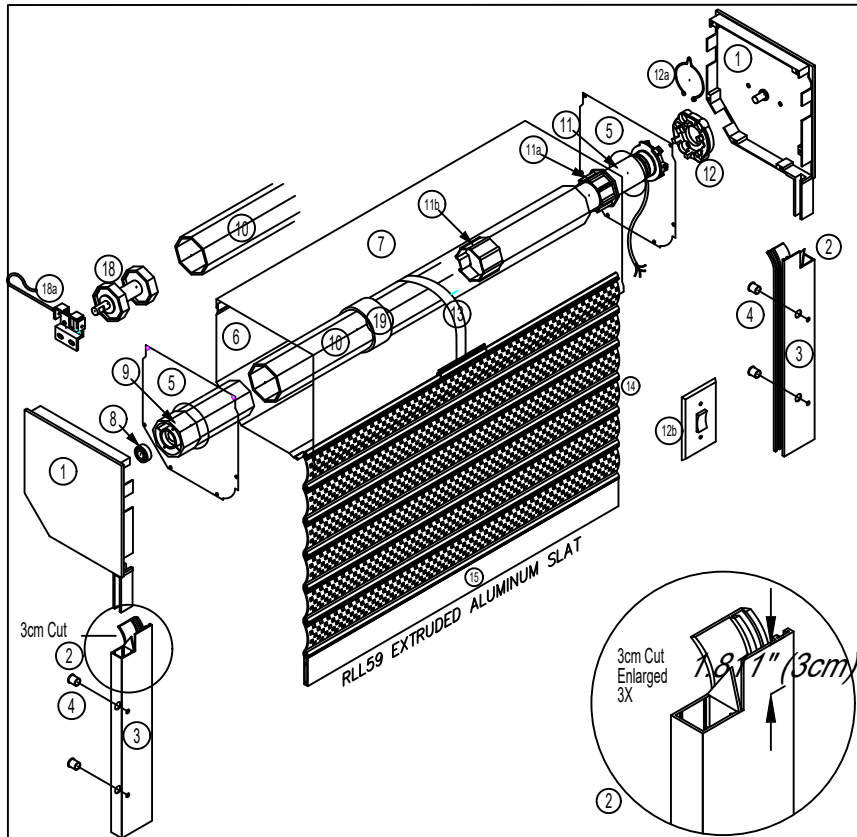
Installation contractor is to seal/caulk all shutter component edges which remain in continuous contact with the building to prevent wind / rain intrusion. Caulk and seal shutter tracks all around full length.

Disclaimer: It is the responsibility of the installer to verify that the surface and structure is suitable to install a rolling shutter. Fastener schedule is a recommendation. Installer to verify that rolling shutter is securely fastened.

Choose Corrosion Resistant Material that is appropriate for the environment in which the product is being installed. Choose appropriate screw length to meet minimum embedment.

		NAME	DATE	PROJECT:
		DRAWN TRAVIS E.	2017/03/06	
Copyright © 2017 Rollac V 2.28.2017 ROLLAC ROLLING SHUTTERS 5331 W. ORANGE ST. PEARLAND, TX 77581 TEL: 281-485-1911 WWW.ROLLAC.COM		CHECKED STEFAN P.	2017/03/06	DESCRIPTION:
		APPR.	YYYY/MM/DD	SYSTEM SPECIFICATION SHEETS FOR RLL59 SHUTTER SYSTEM.
UNLESS OTHERWISE SPECIFIED DIMENSIONS ARE IN INCHES		ANGLES	.X .XX .XXX	SIZE DWG. NO.
		± .5 ± .1 ± .03 ± .005		A RLL59 A
 THIRD ANGLE PROJECTION				SCALE: NONE WEIGHT: XX.XLBS 8 OF 15

MOTORIZED ROLLING SHUTTER MANUAL OVERRIDE OPTIONS.

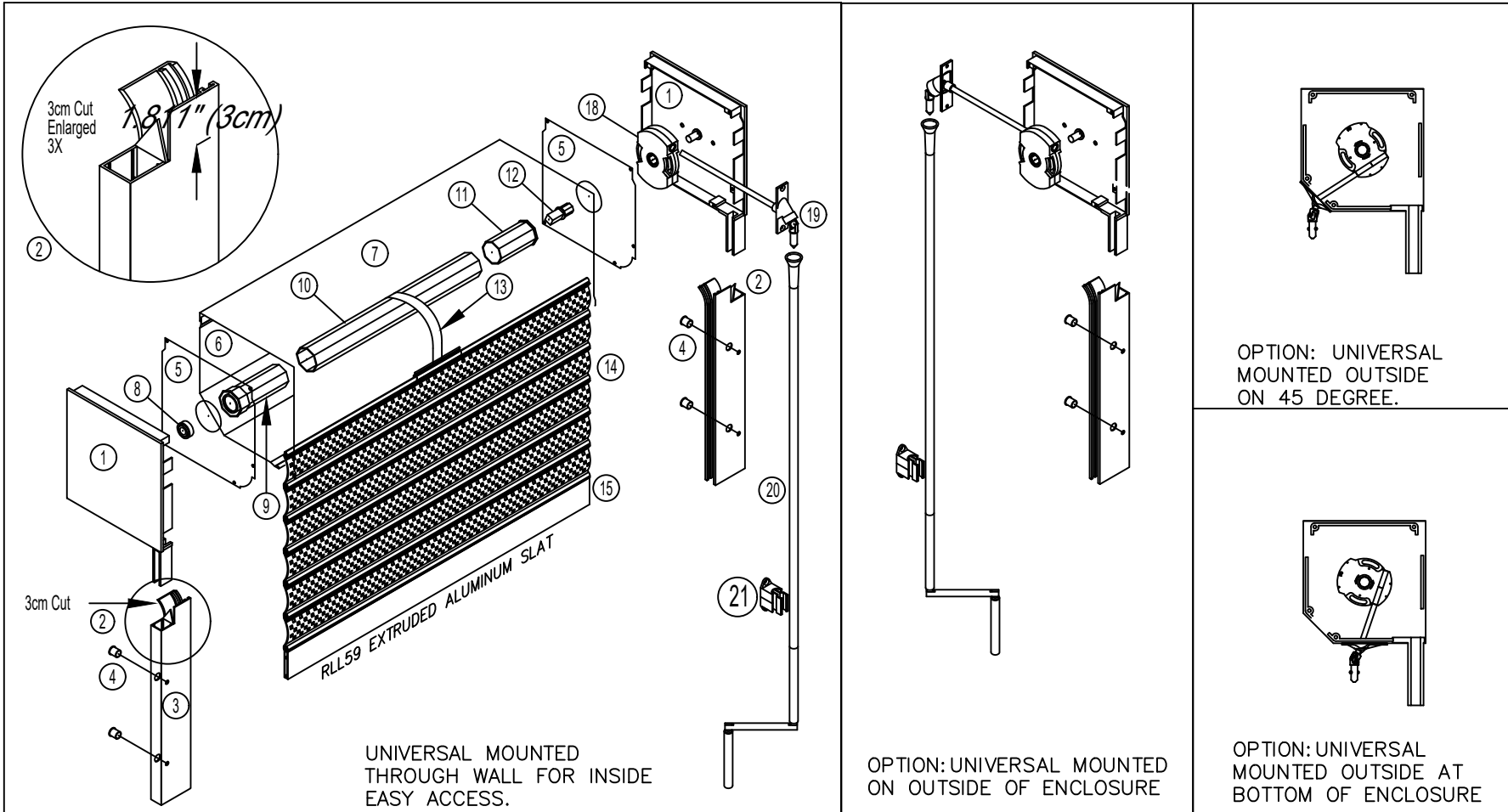


- | | | |
|---------------------------------|--|-----------------------------------|
| ① Side/End Cap | ⑨ Idler Insert (PVC) | ⑬ Springlock Hanger |
| ② 3cm Cut | ⑩ 70 mm Axle (Galvanized/Aluminum) | ⑭ RLL59 Optional Small Grid Slats |
| ③ Guide Rail With 3cm Cut | ⑪ Tubular Motor | ⑮ Base Slat |
| ④ Plug Button | ⑪a Crown | |
| ⑤ Safety Plate | ⑪b Drive | |
| ⑥ Housing (Front/Bottom) 6"-10" | ⑫ Motor Bracket | |
| ⑦ Housing (Top/Back) 6"-10" | ⑫a Spring Ring | |
| ⑧ Ball Bearing | ⑫b Switch | |
| | ⑬ Idler (PVC) | |
| | ⑬a Idler Bracket (Steel) | |
| | ⑬b Axle Ring - PVC or Alum. (Optional) | |

ShopGuard RLL59 System - GRID - MOTOR OPERATED
 Copyright © 2017 by Rollac Rolling Shutters

<p>Copyright © 2017 Rollac V 2.28.2017</p> <p>ROLLAC ROLLING SHUTTERS 5331 W. ORANGE ST. PEARLAND, TX 77581 TEL: 281-485-1911 WWW.ROLLAC.COM</p>	NAME	DATE	PROJECT:	
	DRAWN	TRAVIS E.	2017/03/06	DESCRIPTION: SYSTEM SPECIFICATION SHEETS FOR RLL59 SHUTTER SYSTEM.
	CHECKED	STEFAN P.	2017/03/06	
	APPR.		YYYY/MM/DD	
UNLESS OTHERWISE SPECIFIED DIMENSIONS ARE IN INCHES				
ANGLES	.X ± .5	.XX ± .1	.XXX ± .03	
THIRD ANGLE PROJECTION				
SIZE	DWG. NO.	REV		
A	RLL59	A		
SCALE: NONE		WEIGHT: XX.XLBS	9 OF 15	

ROLLING SHUTTER GEAR OPERATION OPTIONS



OPTION: UNIVERSAL MOUNTED OUTSIDE ON 45 DEGREE.

OPTION: UNIVERSAL MOUNTED OUTSIDE AT BOTTOM OF ENCLOSURE

- ① Side/End Cap
- ② 3cm Cut
- ③ Guide Rail With 3cm Cut
- ④ Plug Button
- ⑤ Safety Plate
- ⑥ Housing (Front/Bottom) 6"-10"
- ⑦ Housing (Top/Back) 6"-10"
- ⑧ Ball Bearing
- ⑨ Idler Insert (PVC)
- ⑩ 70mm + Ring Axle (Galvanized/Aluminum)
- ⑪ Gear Insert
- ⑫ Gear Connector
- ⑬ Springlock Hanger
- ⑭ RLL59 Optional Small Grid Slats
- ⑮ Base Slat
- ⑯ Gear
- ⑰ Universal
- ⑱ Crank Handle
- ⑲ Crank Holder (Optional)

ShopGuard RLL59 - GRID GEAR OPERATED
 Copyright © 2017 by Rollac Rolling Shutters

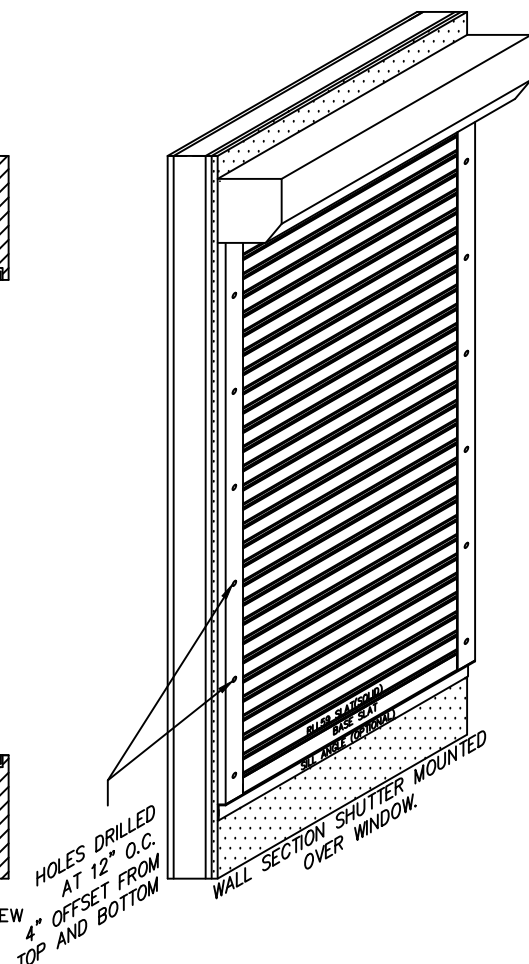
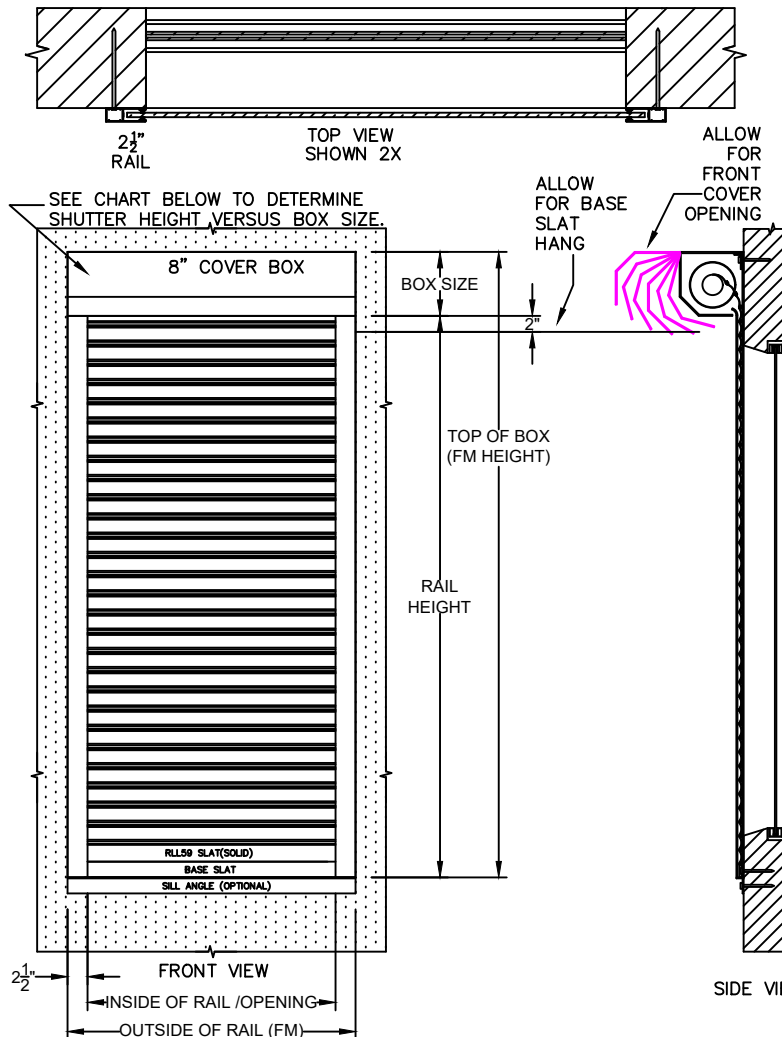
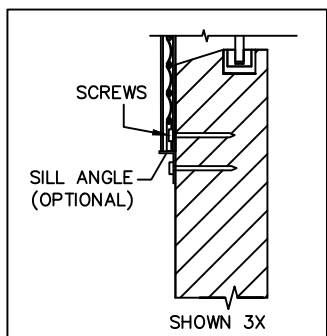
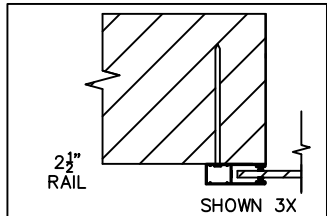
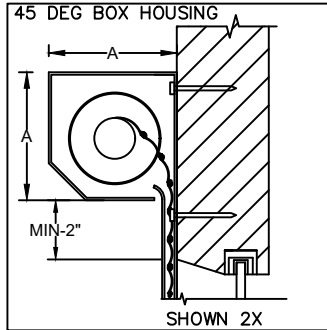
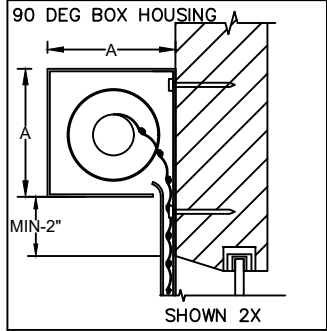
ROLLAC

Copyright © 2017 Rollac
 V 2.28.2017

ROLLAC ROLLING SHUTTERS
 5331 W. ORANGE ST.
 PEARLAND, TX 77581
 TEL: 281-485-1911
 WWW.ROLLAC.COM

NAME	DATE	PROJECT:
DRAWN TRAVIS E.	2017/03/06	
CHECKED STEFAN P.	2017/03/06	DESCRIPTION:
APPR.	YYYY/MM/DD	SYSTEM SPECIFICATION SHEETS FOR RLL59 SHUTTER SYSTEM.
UNLESS OTHERWISE SPECIFIED DIMENSIONS ARE IN INCHES		
ANGLES	.X .XX .XXX	
± .5 ± .1 ± .03 ± .005		
THIRD ANGLE PROJECTION	SIZE DWG. NO.	REV
	A RLL59	A
	SCALE: NONE WEIGHT: XX.XLBS	10 OF 15

INSTALLATION DETAILS



ShopGuard RLL59 SYSTEM

RECOMMENDED OPENING WIDTH MANUAL 2'-10' MOTOR 3'-13'
RECOMMENDED OPENING HEIGHT MANUAL 2'-12' MOTOR 2-13'
RECOMMENDED MAXIMUM USAGE SQ. FT. MANUAL 65 MOTOR 120
SOLID SLAT CURTAIN WEIGHT 1.61 lbs./sq ft..
PROFILE HEIGHT 2.39"
SYSTEM WEIGHT 2X CURTAIN WEIGHT

<p>APPLICATIONS FOR THE RLL59 SYSTEM</p> <p>COMMERCIAL/RESIDENTIAL SECURITY SOLAR SHADING</p>	<p>RLL59 System Specification</p>	
	<p>OPERATOR OPTIONS;</p>	<p>GEAR MOTOR MOTOR/OVERRIDE</p>

ShopGuard RLL59 System - Housing Size(A) Versus FM Height of Shutter.

RLL 59	FM Height ft.	2.5	3	3.5	4	4.5	5	5.5	6	6.5	7	7.5	8	8.5	9	9.5	10	10.5	11	11.5	12	12.5	13
	Housing Size(A) in.	7	7	7	7	8	8	8	8	9	9	9	9	9	9	10	10	10	10	10	10	10	10
	Rail Size in.	2.5	2.5	2.5	2.5	2.5	2.5	2.5	2.5	2.5	2.5	2.5	2.5	2.5	2.5	2.5	2.5	2.5	2.5	2.5	2.5	2.5	2.5

ROLLAC

Copyright © 2017 Rollac
V 2.28.2017

ROLLAC ROLLING SHUTTERS
5331 W. ORANGE ST.
PEARLAND, TX 77581
TEL: 281-485-1911
WWW.ROLLAC.COM

DRAWN	TRAVIS E.	2017/03/06
CHECKED	STEFAN P.	2017/03/06
APPR.		YYYY/MM/DD

UNLESS OTHERWISE SPECIFIED DIMENSIONS ARE IN INCHES

ANGLES	.X	.XX	.XXX
	± .5	± .1	± .03 ± .005

PROJECT:

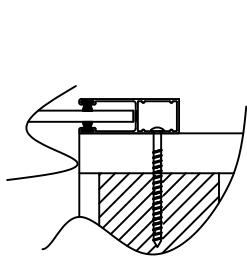
DESCRIPTION:
SYSTEM SPECIFICATION SHEETS FOR RLL59 SHUTTER SYSTEM.

SIZE DWG. NO.
A RLL59 A

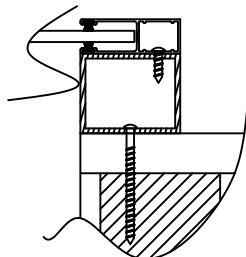
SCALE: NONE | WEIGHT: XX.XLBS | 11 OF 15

Copyright © 2017 Rollac

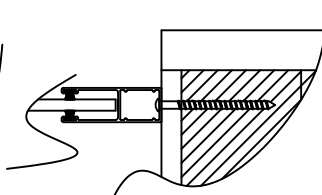
STANDARD RAIL MOUNTING OPTIONS



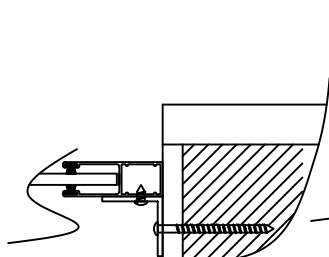
Flush Mount
"A" Type Rails



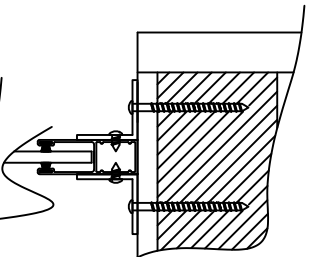
Build Out Mount
"A" Type Rails



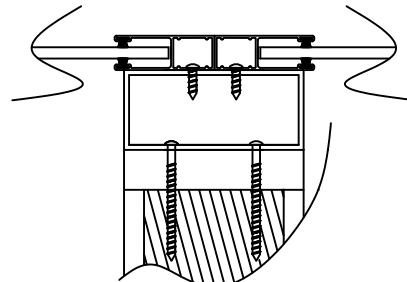
Inside Jamb
Throat Drill Mount
"A" Type Rails



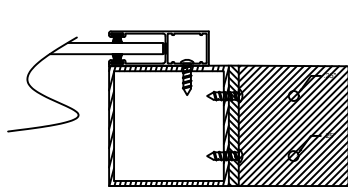
Inside Jamb
"A" Type Rails
Angle Attachment



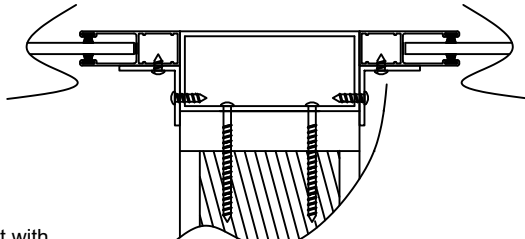
Inside Jamb Mount
"A" Type Rails
Dual Angle Attachment



Build Out Mount
Two "A" Type Rails



3 Inch X 3 Inch Clip.
Mounted to 3 Inch X 3 inch Build Out with rails attached. Use one clip at floor and ceiling for each rail to mount shutter when no other mounting options are available. Other sizes are available.



Mount Two "A" Type Rails
Flush On Build Out With Angles



Copyright © 2017 Rollac
V 2.28.2017

ROLLAC ROLLING SHUTTERS
5331 W. ORANGE ST.
PEARLAND, TX 77581
TEL: 281-485-1911
WWW.ROLLAC.COM

	NAME	DATE
DRAWN	TRAVIS E.	2017/03/06
CHECKED	STEFAN P.	2017/03/06
APPR.		YYYY/MM/DD
UNLESS OTHERWISE SPECIFIED DIMENSIONS ARE IN INCHES		
ANGLES	.X	.XX
± .5	± .1	± .03
		± .005

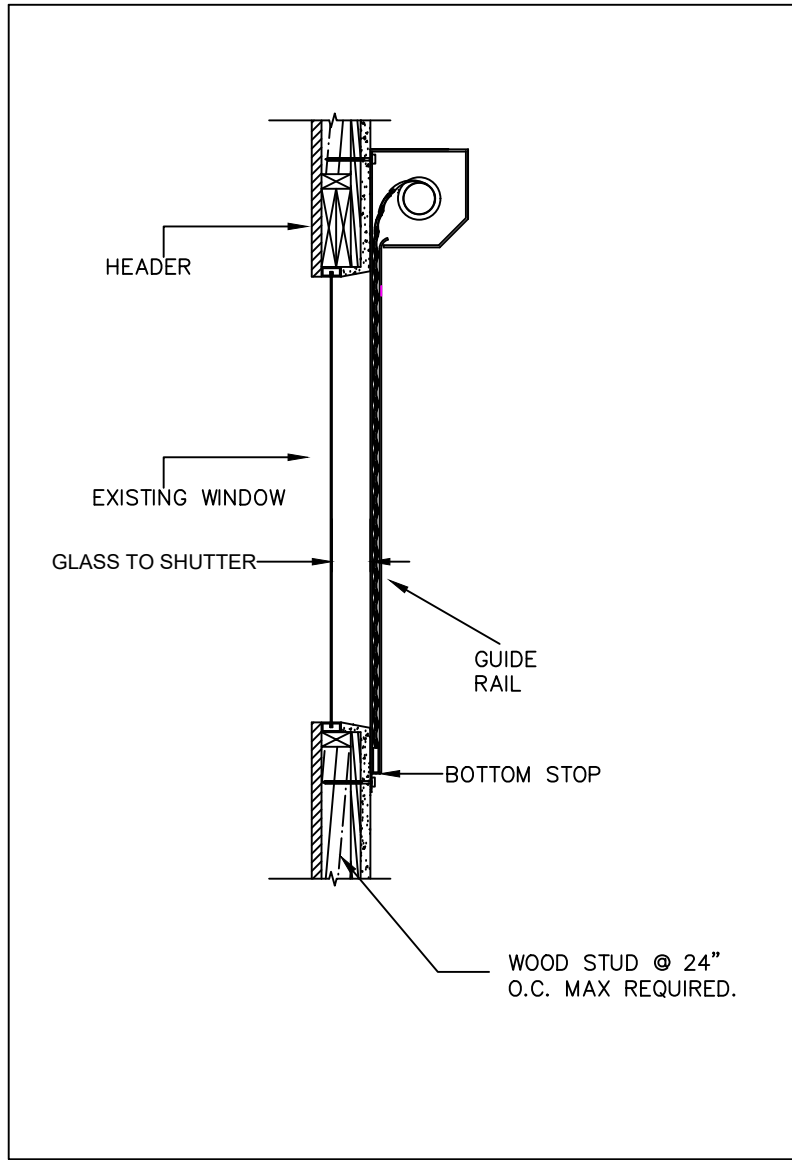
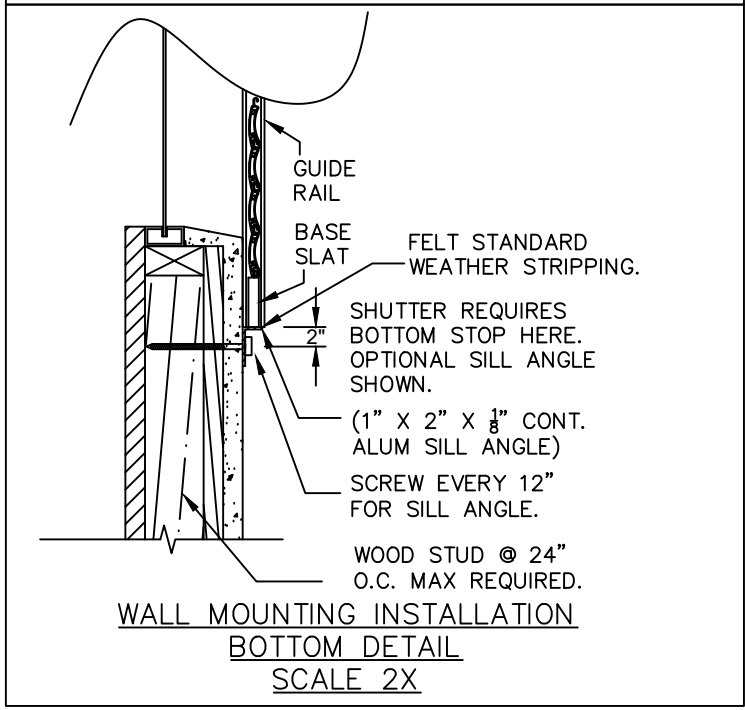
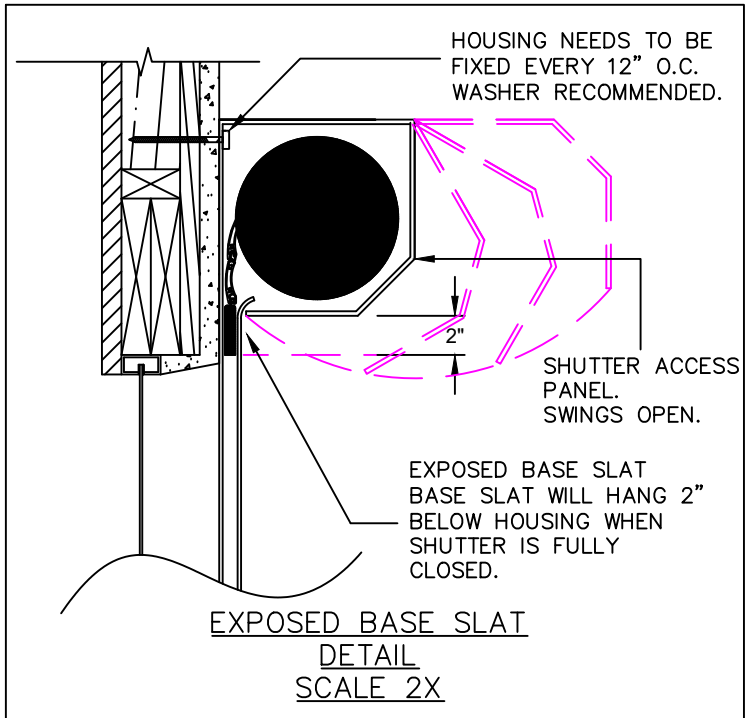


THIRD ANGLE PROJECTION

PROJECT:

DESCRIPTION:
SYSTEM SPECIFICATION SHEETS FOR
RLL59 SHUTTER SYSTEM.

SIZE DWG. NO.	REV
A RLL59	A
SCALE: NONE	WEIGHT: XX.XLBS
12 OF 15	



ROLLAC

Copyright © 2017 Rollac
V 2.28.2017

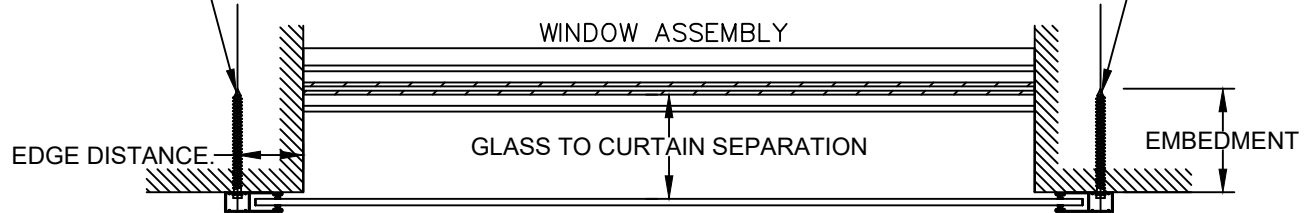
ROLLAC ROLLING SHUTTERS
5331 W. ORANGE ST.
PEARLAND, TX 77581
TEL: 281-485-1911
WWW.ROLLAC.COM

	NAME	DATE
DRAWN	TRAVIS E.	2017/03/06
CHECKED	STEFAN P.	2017/03/06
APPR.		YYYY/MM/DD
UNLESS OTHERWISE SPECIFIED DIMENSIONS ARE IN INCHES		
ANGLES	.X	.XX
± .5	± .1	± .03
		± .005
 THIRD ANGLE PROJECTION		

PROJECT:		
DESCRIPTION: SYSTEM SPECIFICATION SHEETS FOR RLL59 SHUTTER SYSTEM.		
SIZE DWG. NO.	REV	
A	RLL59	A
SCALE: NONE	WEIGHT: XX.XLBS	13 OF 15

(SEE FASTENER SCHEDULE FOR SCREW TYPE AND SPACING)

(SEE FASTENER SCHEDULE FOR SCREW TYPE AND SPACING)



TOP VIEW SHOWN 2X

**WALL MOUNTING
SIDE RAIL CONNECTIONS
SCALE 2X**

OPEN HOLE &
COVER W/
NYLON CAP

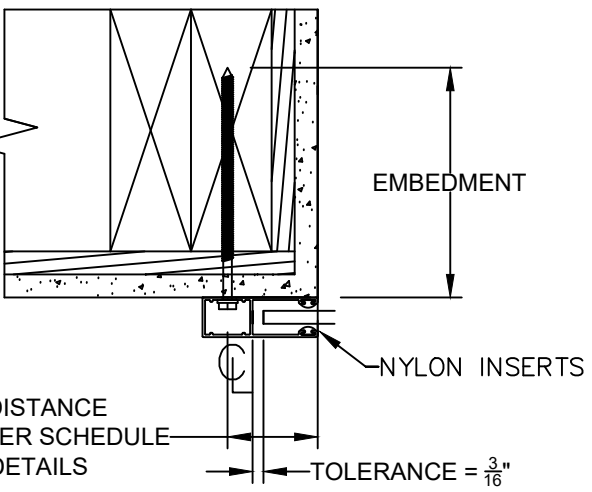
OPEN HOLE &
COVER W/
NYLON CAP

2 1/2" RAILS

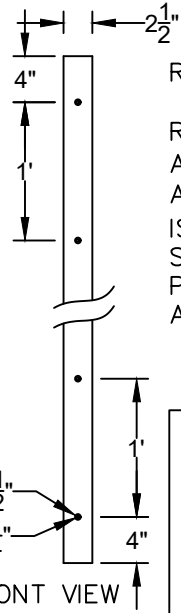
2 1/2" RAILS

2 1/2"
RAILS

EDGE DISTANCE
SEE FASTENER SCHEDULE
FOR DETAILS



**WALL MOUNTING
SIDE RAIL CONNECTIONS
TO WOOD CONSTRUCTION WALL
SCALE 2X**



RAIL DETAIL—STANDARD RAIL

RAIL HOLES ARE SPACED ABOUT 12" APART BEGINNING 4" FROM TOP AND BOTTOM. THE OUTSIDE HOLE IS 1/2" AND THE INSIDE HOLE IS 1/4" STANDARD. NYLON CAPS WILL BE PROVIDED FOR COVERING THE HOLES AFTER INSTALLATION.

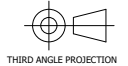


Copyright © 2017 Rollac
V 2.28.2017
ROLLAC ROLLING SHUTTERS
5331 W. ORANGE ST.
PEARLAND, TX 77581
TEL: 281-485-1911
WWW.ROLLAC.COM

DRAWN	TRAVIS E.	DATE	2017/03/06
CHECKED	STEFAN P.	DATE	2017/03/06
APPR.		DATE	YYYY/MM/DD
UNLESS OTHERWISE SPECIFIED DIMENSIONS ARE IN INCHES			
ANGLES	.X	.XX	.XXX
	± .5	± .1	± .03 ± .005

PROJECT:

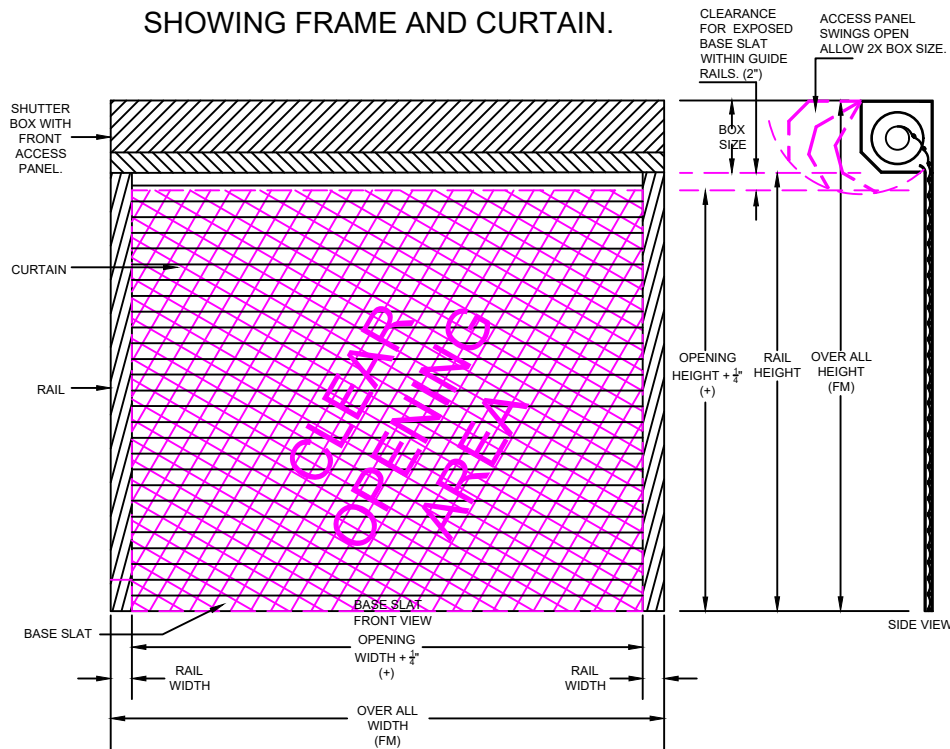
DESCRIPTION:
SYSTEM SPECIFICATION SHEETS FOR RLL59 SHUTTER SYSTEM.



SIZE DWG. NO.	REV
A RLL59	A
SCALE: NONE	WEIGHT: XX.XLBS
14 OF 15	

COMMON TERMS USED FOR ROLLING SHUTTERS

MEASUREMENT AND PLANNING GUIDE FOR ROLLING SHUTTERS SHOWING FRAME AND CURTAIN.



Measuring for rolling shutters is easy once you know what issues to consider

1) Consider the way a rolling shutter will need to be installed. Is the area free of obstruction or will you need to fit the shutter within a certain space?

The answer to this question will tell you whether you should use a plus (+) measurement or FM measurement.

2) Consider the height of the shutter. The taller the shutter, the larger the box size. In addition to the added height for the box, some space should

be allowed for the base slat of a fully open shutter in order to keep the view from inside unobstructed.

3) Consider the width of the shutter. Adding either 5 inches for mini rails or 6 inches for maxi rails is a good general rule to follow. Keep in mind,

however, that this is only a guideline, and technical changes may be made when necessary.

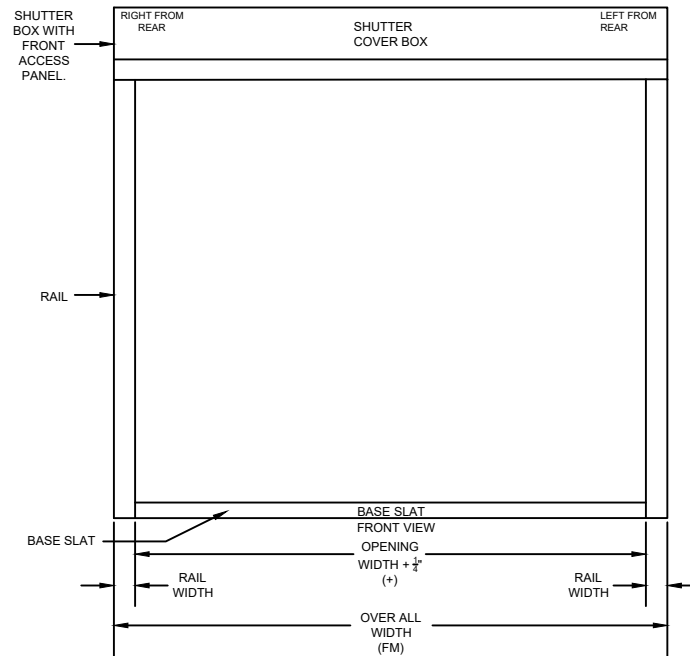
4) Consider how power is supplied to the shutter and the location of any control switches.

Consider Tape or Crank placement if manual.

If you have any questions about this measuring and planning guideline, please don't hesitate to contact us at (281)485-1911 or at Sales@rollac.com.

SHUTTER SYSTEM FRAME

SHUTTER SYSTEM FRAME



ROLLAC		NAME	DATE	PROJECT:
DRAWN	TRAVIS E.	2017/03/06		
CHECKED	STEFAN P.	2017/03/06		
APPR.		YYYY/MM/DD		
UNLESS OTHERWISE SPECIFIED DIMENSIONS ARE IN INCHES				DESCRIPTION: SYSTEM SPECIFICATION SHEETS FOR RLL59 SHUTTER SYSTEM.
ANGLES	.X ± .5	.XX ± .1	.XXX ± .03	.XXX ± .005
THIRD ANGLE PROJECTION		SIZE DWG. NO. A RLL59	REV A	SCALE: NONE WEIGHT: XX.XLBS 15 OF 15
Copyright © 2017 Rollac V 2.28.2017 ROLLAC ROLLING SHUTTERS 5331 W. ORANGE ST. PEARLAND, TX 77581 TEL: 281-485-1911 WWW.ROLLAC.COM				



Experience Technology Higher Standards

Since 1982, Rollac has operated with a vision of quality, service, and modern technology to produce the best possible product for our customers. Each product is custom manufactured for every single job to ensure the best fit and finish. Regardless if you are looking to enhance security, add comfort to a space, or seek protection from the elements, Rollac has the solution for your home or work environment.

ROLLAC 

5331 West Orange Street
Pearland, TX 77581

toll free 1.888.2-ROLLAC
phone 281.485.1911
fax 281.485.0839



www.rollac.com